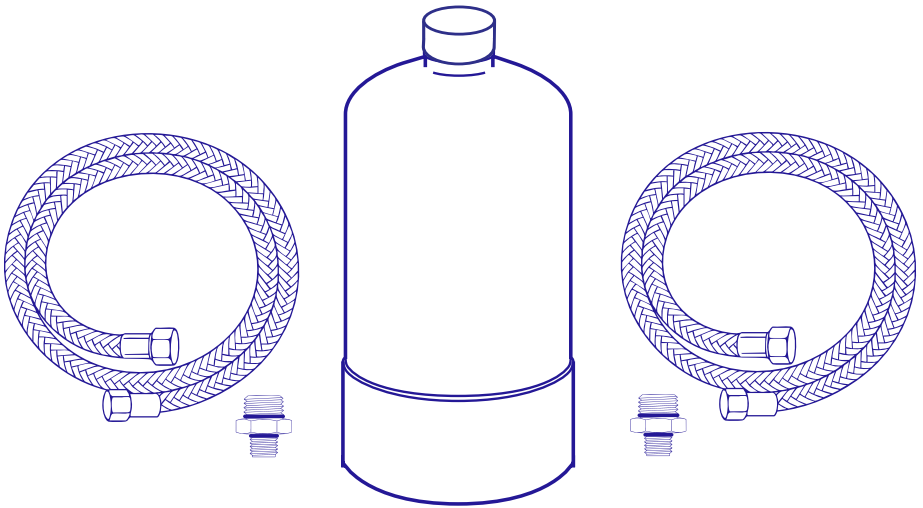




Crystal Quest® Mineral Tank Inline Undersink



INSTALLATION AND OPERATION GUIDE

Copyright 2025
Crystal Quest®
All rights reserved
MADE IN THE USA





INTRODUCTION

The Crystal Quest® Inline Under-Sink Water Filter is a high-capacity point-of-use filtration system designed to provide advanced chemical reduction and high flow performance for residential kitchen applications. This system installs directly in-line on the cold-water feed to your faucet or appliance and is suitable for homes seeking improved taste, odor, chlorine reduction, chemical adsorption, and broad-spectrum sediment filtration.

This manual covers both housing configurations:

- **Fiberglass Inline Filter Housing**
- **Stainless Steel Inline Filter Housing**

Both versions operate identically and use the same internal media blend.

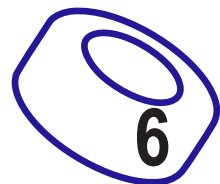
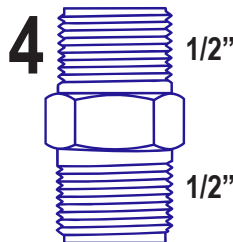
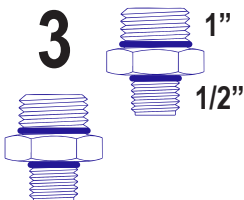
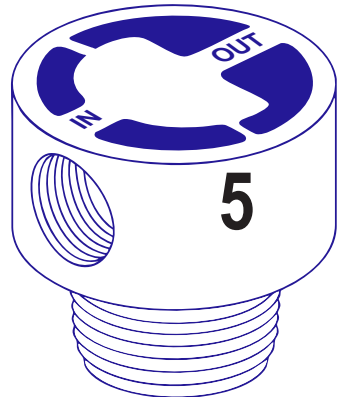
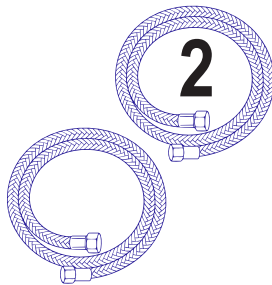
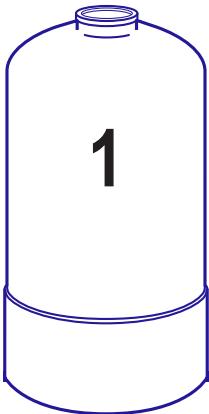
What's included:

- Inline Filter Assembly (Fiberglass or Stainless Steel)
- (2) steel braided hoses with ½ Female NPT ends
- (2) 1 inch to ½ Male Adapter Fittings
- (1) ½ Inch Male Adapter Fitting
- Thread Tape
- 1 inch Upflow Head



COMPONENTS

Component	Description
1. Tank Shell	Fiberglass pressure vessel, NSF-listed for potable water. Rated for standard working pressures up to 60 PSI.
2. (2) Steel Braided hoses	Steel braided hoses with ½ FM NPT ends. Connects into the upflow head on the tank.
3. (2) Male PVC Adapter Fittings	1" to 1/2" PVC Pipe Fittings, Male Thread to Male Thread Coupling Hex Straight Adapter Connector, goes into the top of the upflow head for IN or OUT.
4. Hex Nipple 1/2" Male x 1/2" Male Pipe Fittings, 304 Stainless Steel	Use for connecting the tubing to the Faucet feed line
5. Upflow Head	1-inch upflow valve - No Backwash
6. Thread Tape	For threaded male adapters





SPECIFICATIONS

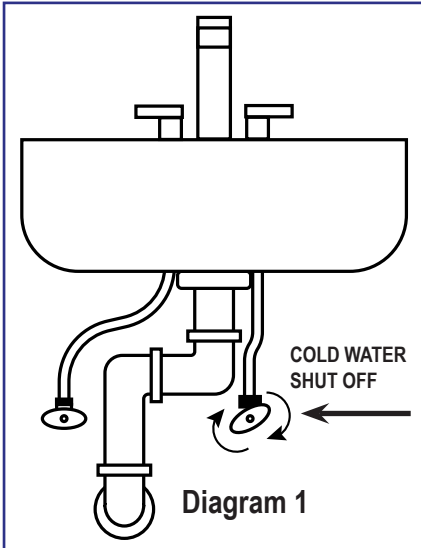
Item	Specification
Model:	Crystal Quest® Inline Under-Sink Water Filter – 8 GPM
Flow Direction:	IN → OUT
Housing Material:	Fiberglass or Stainless Steel
Media Volume:	0.75 ft ³
Filter Life:	2–4 years
Service Flow Rating:	2.2 GPM
Peak Flow:	Up to 8 GPM
Connections;	Male NPT (adapter required to your plumbing size)
Operating Pressure:	20–60 psi
Operating Temperature:	40–100°F (4–38°C)
Application:	Under-sink, cold-water line only

Safety Guidelines

- Install on cold water only.
- Avoid exceeding 60 psi; install a pressure regulator if needed.
- Do not mount horizontally; vertical orientation is required.
- Do not allow the system to freeze.
- Flush system thoroughly after installation or media replacement.
- Replace filter at recommended interval to avoid bacterial growth.
- If water quality is microbiologically unsafe, disinfect or pre-treat before use.

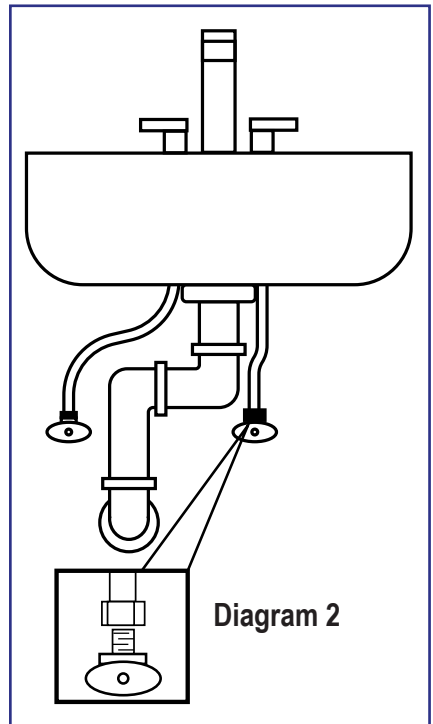


INSTALLATION INSTRUCTIONS



Step 1 — Shut Off the Water

Close the cold-water shut-off valve under the sink and depressurize the line by opening the faucet. (*Diagram 1*)



Step 2 — Disconnect the Faucet Hose from the Cold-Water Valve

1. Place a towel or small container underneath.
2. Use an adjustable wrench to unscrew the braided stainless-steel hose from the cold-water shut-off valve.
3. Leave the top of the hose attached to the faucet.

Your plumbing is now open at the valve.

(*Diagram 2*)

Step 3 — Prepare the Upflow Head on the Tank

Your upflow head has:

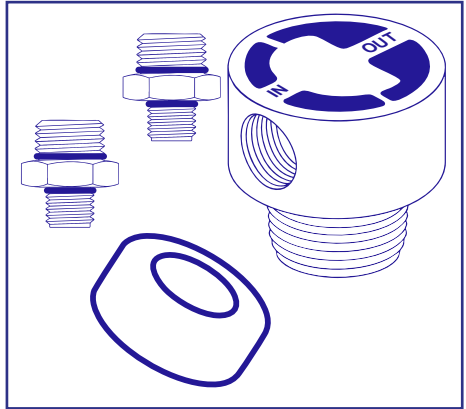
- 1" Female NPT IN port
- 1" Female NPT OUT port



INSTALLATION INSTRUCTIONS

Install Adapters:

1. Wrap the male threads of both 1" → 1/2" adapters with PTFE tape (3–5 wraps).
2. Thread them into the IN and OUT ports of the upflow head.
3. Tighten snugly (do not overtighten).



NOTES: Upflow heads use 1" ports. The included adapters reduce to 1/2" to match your hoses.

Step 4 — Connect Braided Hoses to the Tank

You have two hoses, both with 1/2" female NPT ends.



Connect Hose #1 to the OUT Port

This hose goes to the faucet, because the OUT port supplies the faucet.

1. Thread hose #1 (female NPT) to the 1/2" male adapter on the OUT side.
2. Tighten until snug. **Diagram 3**

Connect Hose #2 to the IN Port

This hose goes to the cold-water valve.

1. Thread hose #2 (female NPT) to the 1/2" male adapter on the IN side.
2. Tighten until snug. **Diagram 3**

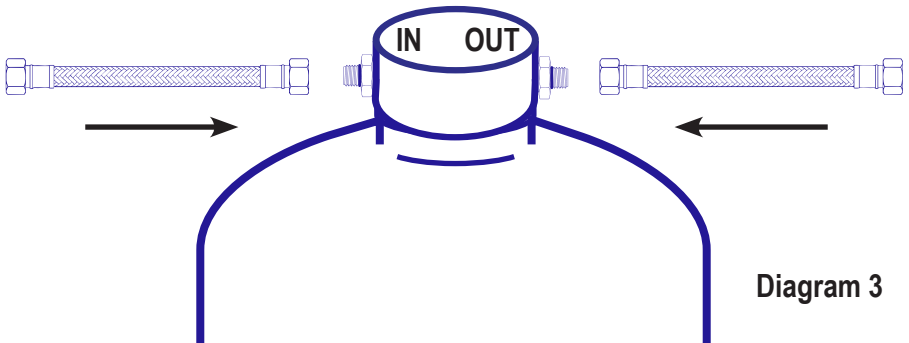


Diagram 3



INSTALLATION INSTRUCTIONS

Step 5 — Connect Tank to Plumbing

Tank OUT → Faucet

1. Take Hose #1 (already connected to OUT).
2. Thread the free end to the faucet's existing female inlet with the use of the 1/2 inch male adapter fitting.
3. Tighten snugly. **Diagram 4**

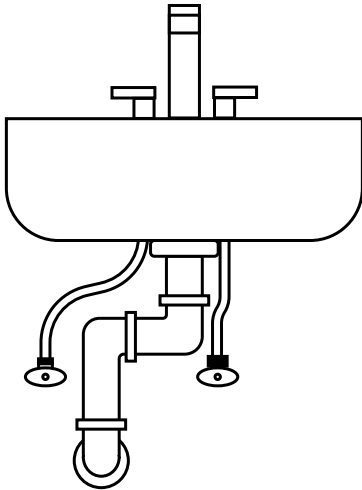
Tank IN → Cold-Water Valve

1. Take Hose #2 (already connected to IN).
2. Thread the free end onto the cold-water shut-off valve. Most valves have 3/8" or 1/2" male NPT outlets. Use thread tape on the Male NPT outlet.
3. Tighten firmly. **Diagram 4**

NOTE: PLEASE USE THREAD TAPE ON THE 1/2 MALE ADAPTER.

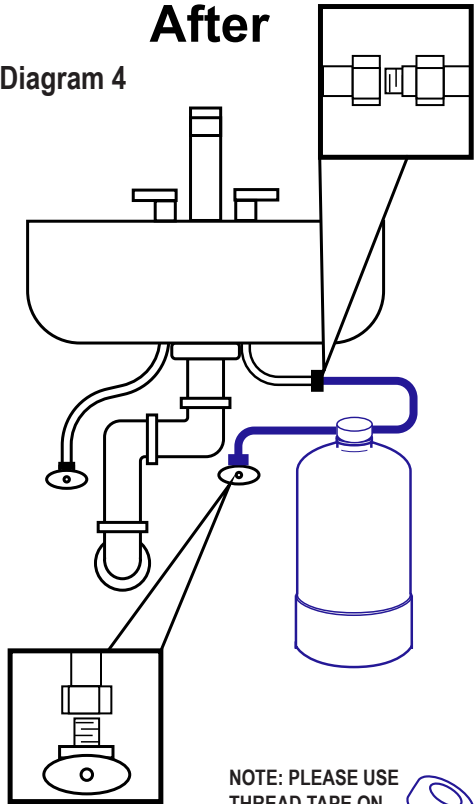
NOTE: If your valve is 3/8", use a 1/2" to 3/8" adapter (standard plumbing part, inexpensive).

Before



After

Diagram 4



- Braided hoses always terminate with female ends and are meant to attach to either faucet or valve male threads.
- The only scenario requiring one small extra adapter is if the valve is 3/8" NPT (very common).
- No cutting of any lines is required.

NOTE: PLEASE USE
THREAD TAPE ON
ALL MALE THREADS.



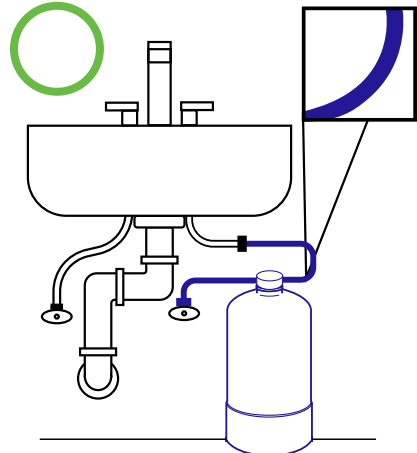
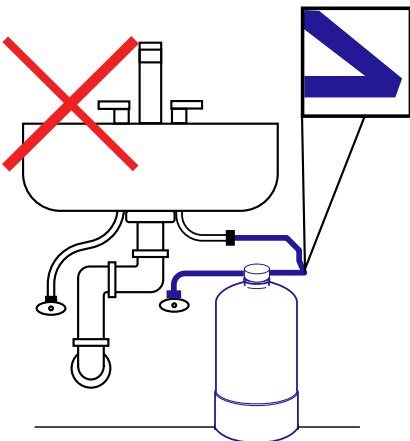
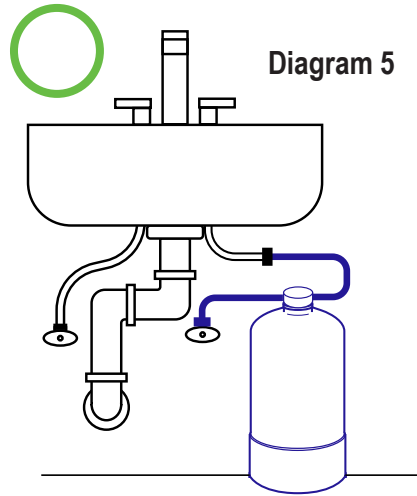
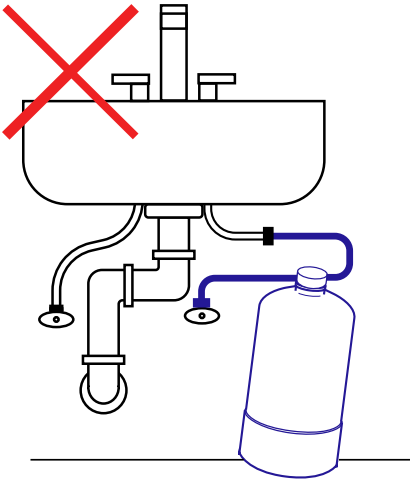


INSTALLATION INSTRUCTIONS

Step 6 — Place the Tank Under the Sink

- Set the tank upright on the cabinet floor.
- Ensure the hoses are not kinked. **Diagram 5**
- Keep the tank stable (its weight normally keeps it positioned).

Correct — inline tanks sit on the floor. They are not wall-mounted.





INSTALLATION INSTRUCTIONS

Step 7 — Pressurize and Leak-Test

Slowly open the cold-water shut-off valve.

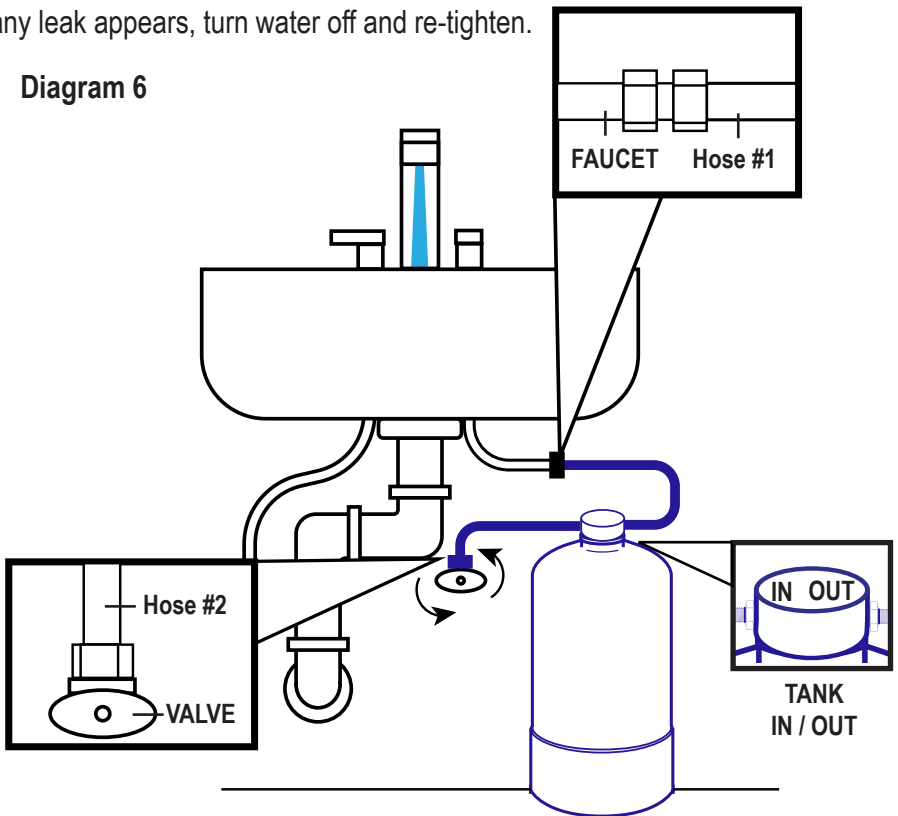
Watch all connections closely: **Diagram 6**

- Valve → Hose #2
- Hose #2 → Tank IN
- Tank OUT → Hose #1
- Hose #1 → Faucet

If any leak appears, turn water off and re-tighten.

**Run water for
5-10 minutes
to flush the
media.**

Diagram 6



Required — media tanks must flush to clear lines.



MAINTENANCE & MEDIA REPLACEMENT

Routine Maintenance

- Monthly: Check all hose connections for leaks and ensure the tank is upright with no hose kinks.
- After 7+ Days of No Use: Run cold water for 2–3 minutes to refresh the system.
- Replacement Interval: Replace media every 2–4 years, or sooner if flow decreases or taste/odor returns.

1. Shut Down

- Turn off the cold-water valve.
- Open faucet to depressurize system.
- Disconnect both braided hoses from the tank head.

2. Remove Head

- Unscrew the 1" upflow head from the tank.
- Lift straight up to avoid bending the riser tube.
- Remove riser tube

3. Empty & Clean Tank

- Lay tank on its side and pour out old media.
- Rinse tank interior thoroughly with clean water.

4. Add New Media

- Install riser tube and tape opening to keep media out.
- Add gravel support layer first.
- Add replacement media slowly using a funnel.

5. Reassemble

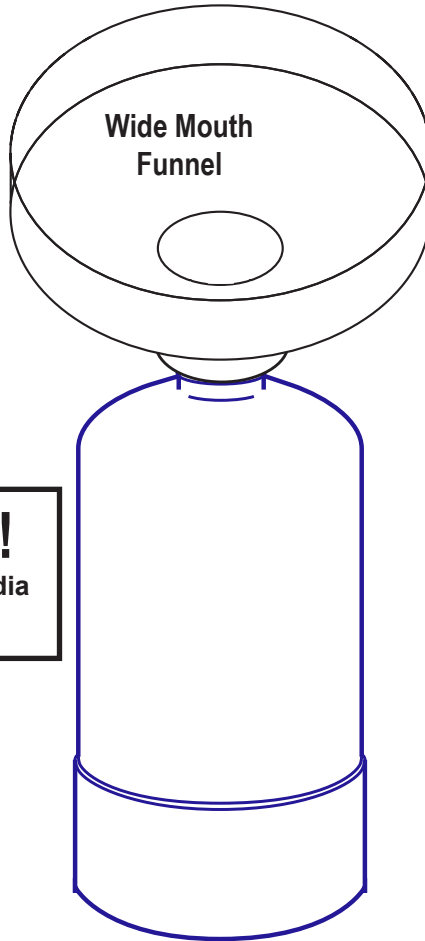
- Remove riser cap or piece of tape
- Reinstall upflow head and tighten securely.
- Reconnect hoses: Valve → IN, OUT → Faucet.

6. Flush

- Turn water on slowly.
- Flush for 5–10 minutes until water runs clear and air is removed.



MEDIA LOADING PROCEDURE



NOTICE!

Replacement Media
Sold Separately

Caution: Overfilling the tank can cause restricted flow, media discharge, or head installation issues.



**KEEP THIS MANUAL FOR
FUTURE REFERENCE AND
UNIT MAINTENANCE**

Product design is subject to change without notice.

For further assistance contact your
Crystal Quest® Dealer
or visit us at www.crystalquest.com