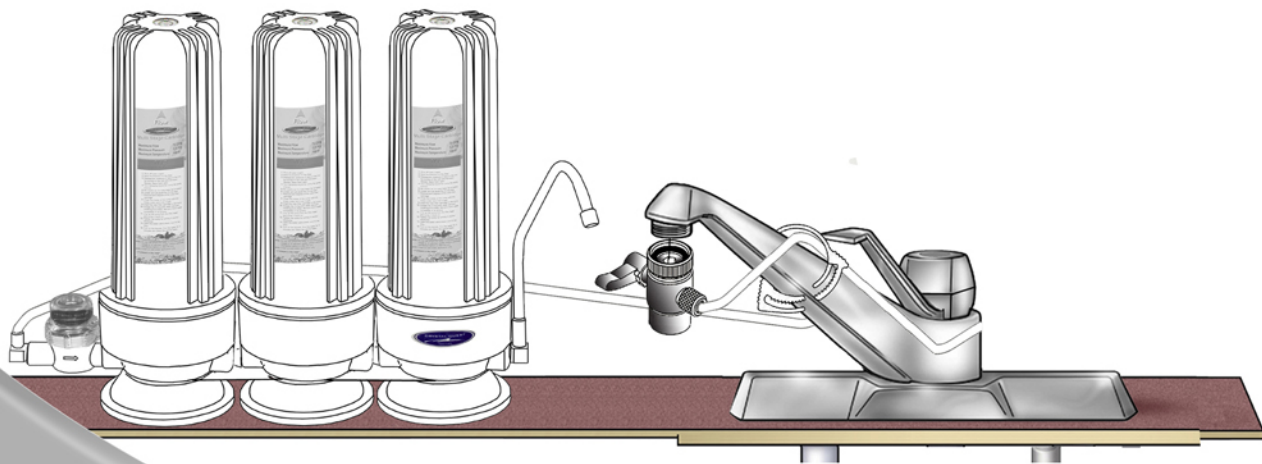
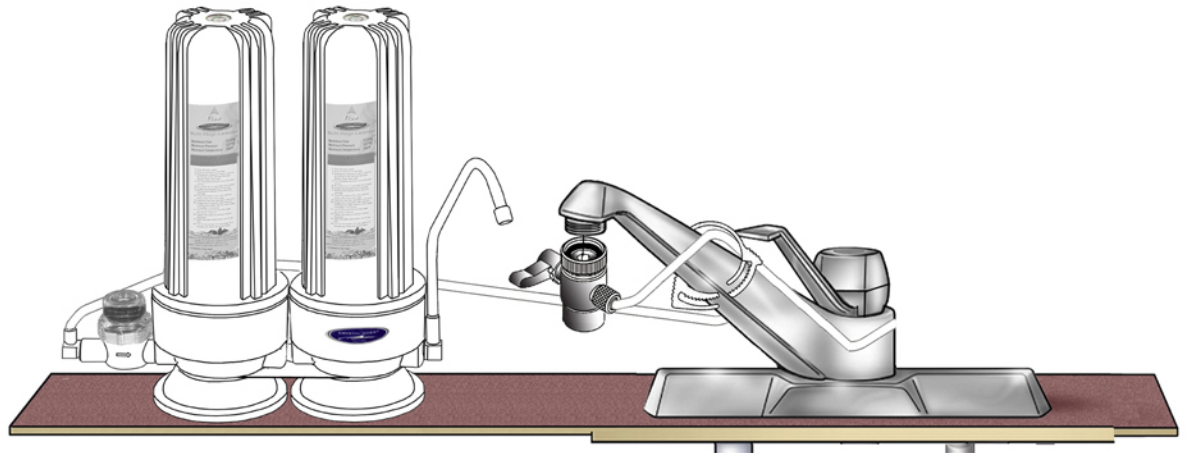
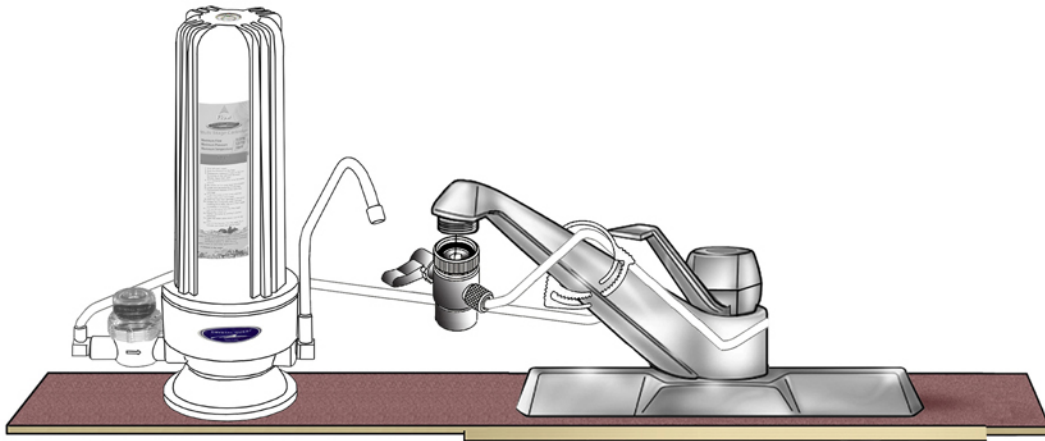




CRYSTAL QUEST® Countertop Installation Instructions



Operating Specifications

Pressure Range: 30–125 psi (2.1–8.6 bar)

Temperature Range: 40–100°F (4.4–38°C)

Rated Service Flow: 0.5 gpm @ 60 psi (1.9 Lpm @ 4.1 bar)





CRYSTAL QUEST

Water Filters

A qualified licensed plumber should install this water filtration system. (Not using the service of a qualified plumber will void warranty.)

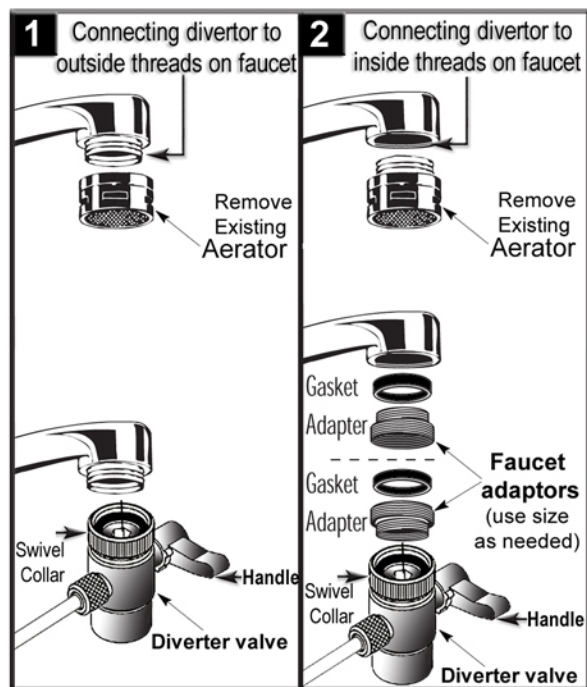
- Please read all instructions and precautions before installing and using your Crystal Quest Countertop Water Filter.
- Numbered diagrams correspond with numbered steps.

WARNING: Do not use with water that is microbiologically unsafe or of unknown quality without adequate disinfection before or after the system. Systems certified for cyst reduction may be used on disinfected waters that may contain filterable cysts.

CAUTION: Filter must be protected against freezing which can cause cracking of the filter and water leakage.

NOTE:

- Filter cartridge life varies depending on filter type, usage, and water conditions.
- For cold water use only.
- Make certain that installation complies with all state and local laws and regulations.
- The replacement filter cartridge used with this system has a limited service life. Changes in taste, odor, or reduced flow of the water being filtered indicate that the cartridge should be replaced.
- The contaminants or other substances removed or reduced by these systems are not necessarily in your water. Ask your local water municipality for a copy of their water analysis or have your private well tested by a reputable water testing lab.
- After prolonged periods of non-use (such as during a vacation) it is recommended that the system be flushed thoroughly. Let water run for 5–6 minutes before using.



Connecting diverter valve to faucet

1. Remove aerator from faucet on which filter will be installed (Fig. 1).
2. Determine the type of threads on your faucet:

External threads: No adapters should be needed (Fig. 1). Proceed to Step 3.

Inside threads: Select the correct adapter and washer (Fig. 2) and screw into faucet. Tighten manually.

NOTE: Adapters are included which will fit most faucets. To create a tight seal, you may need to use the gasket from your faucet's aerator in addition to the washers included with the adapters. If the adapters do not fit, consult your local plumbing or hardware supplier for assistance in obtaining the correctly threaded adapter.

3. Screw the diverter valve onto the faucet, turning swivel collar to tighten. Make certain that gasket (already installed in diverter valve) is positioned securely between the diverter valve and the faucet (or adapter). Rotate diverter valve stem to desired position. Swivel collar may need to be retightened. Place assembly conveniently next to sink.

4. Turn on water and turn on diverter handle and then this causes the water to flow through the filter. To stop water flow to filter, turn off the diverter's handle or turn water at faucet handle: Turn on diverter handle and then turn on water.

Operation

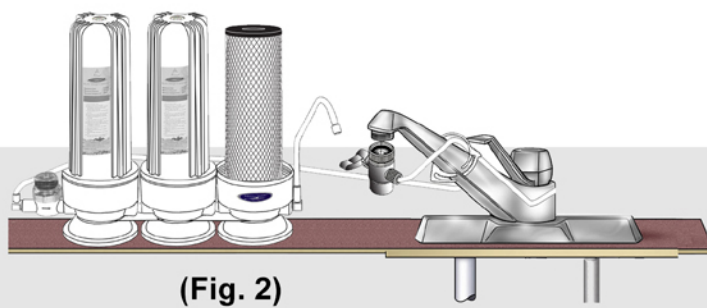
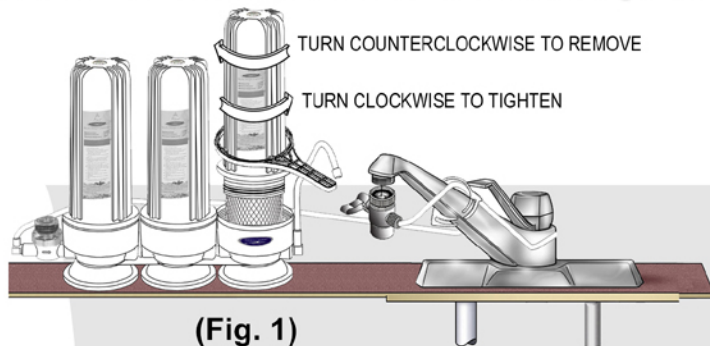
NOTE:

- A drinking water cartridge may contain carbon fines (very fine black powder). After installation, flush the cartridge for 5 to 10 minutes to remove the fines before using the water.
- It is recommended that you run the tap at least 20 seconds prior to each use for drinking or cooking purposes.
- During initial use, your water may appear cloudy. This cloudiness is caused by air that has been trapped in the cartridge. If you let the water sit for 5 minutes in a glass, you will notice the cloudiness disappear from the bottom up. This phenomenon is not harmful and will clear up within a few weeks as the remaining air is flushed from the cartridge.



Filter Cartridge Replacement

- A.** Turn off faucet. Holding filter over the sink, unscrew the top of the housing by using the wrench (Fig. 1) . Empty excess water into sink. Set top of filter housing aside.
- B.** Pull out filter cartridge to remove from the base. Clean top and base of filter housing with warm water, mild dish soap and a soft cloth. Do not use harsh detergents, abrasive cleaners or wire brushes, as they may damage the system.
- C.** Set base of filter on counter. Insert new filter cartridge securely into filter base (Fig. 2) .
- NOTE:** Make sure both black O-rings are present on the filter housing. Also, make sure to lubricate O-rings with cooking oil.
- D.** Screw top of filter housing onto base and tighten with the provided wrench until very snug.
- E.** Turn on water and turn on diverter's handle, flush the cartridge for 5 to 10 minutes to remove the fines before using the water.



Troubleshooting

A. Leaks between base and housing

1. Turn off faucet and unscrew base of housing.
2. Check to make sure both O-rings are clean and undamaged. Replace if necessary.
3. Reinsert cartridge securely into base and screw top of housing by using the provided wrench back onto base until very snug. If leak persists, contact Technical Support at service@crystalquest.com

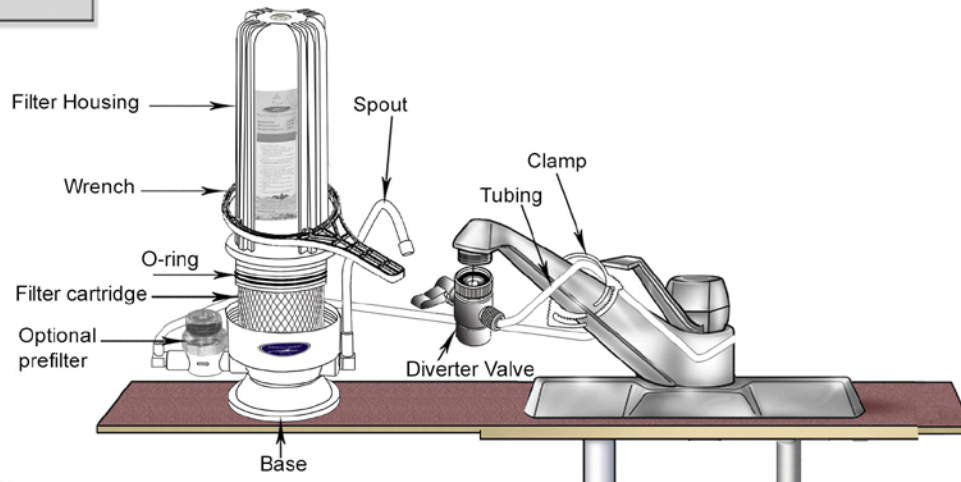
B. Diverter valve will not release

1. Unscrew diverter valve from faucet.
2. Soak in vinegar up to one hour to remove scale build-up.

C. Decreased flow or return of bad taste/odor

Replace filter cartridge.

Replacement Parts





To order replacement cartridges

<http://crystalquest.com/water-filter-replacement-cartridge.htm>

- Item No. CQE-RC-04000** 5-Micron Carbon Block Filter Cartridge **18-24 months lifetime expectancy**
- Item No. CQE-RC-04001** 5-Micron Sediment Reusable Pleated Filter Cartridge **18-24 months lifetime expectancy**
- Item No. CQE-RC-04002** 2-7/8" x 9-3/4" Multi Stage PLUS Filter Cartridge **18-36 months lifetime expectancy**
- Item No. CQE-RC-04006** 2-7/8" x 9-3/4" Fluoride Filter Cartridge **12-18 months lifetime expectancy**
- Item No. CQE-RC-04049** 2-7/8" x 9-3/4" Fluoride/Multi Filter Cartridge **12 months lifetime expectancy**
- Item No. CQE-RC-04007** 2-7/8" x 9-3/4" Nitrate Filter Cartridge **12-18 months lifetime expectancy**
- Item No. CQE-RC-04050** 2-7/8" x 9-3/4" Nitrate/Multi Filter Cartridge **12 months lifetime expectancy**
- Item No. CQE-RC-04008** 2-7/8" x 9-3/4" Arsenic Filter Cartridge **12-18 months lifetime expectancy**
- Item No. CQE-RC-04051** 2-7/8" x 9-3/4" Arsenic/Multi Filter Cartridge **12 months lifetime expectancy**

Installation and Maintenance Instructions

**KEEP THIS MANUAL FOR FUTURE
REFERENCE AND UNIT MAINTENANCE**

Product design is subject to change without notice.

For further assistance contact your
Crystal Quest® dealer
Or visit us @ www.crystalquest.com

One-Year Limited Warranty

CRYSTAL QUEST® warrants your CRYSTAL QUEST® Countertop Water Filter System for one year from the date of purchase against all defects in materials and workmanship when used in compliance with the manual. This warranty does not include replacement cartridges unless defective upon receipt. CRYSTAL QUEST® disclaims all implied warranties, including without limitation, warranties of merchantability and fitness for a particular purpose. If for any reason the product proves to be defective within one year from the date of purchase, please call for assistance. This warranty gives you specific legal rights and you may have other legal rights which vary from state to state. CRYSTAL QUEST® assumes no responsibility for incidental or consequential damages; for damages arising out of misuse of the product or the use of any unauthorized attachment. Some states do not allow the exclusion or limitation of implied warranties or incidental or consequential damages, so the above limitations or exclusions may not apply to you. Should service be required during or after the warranty period or should you have any questions regarding how to use your CRYSTAL QUEST® Countertop Water Filter System, please contact our Technical Support department at service@crystalquest.com, Monday through Friday, 9:00 A.M. to 5 P.M. Central Standard Time.

CRYSTAL QUEST Water Filters

2130 Northwest Pkwy S.E.
Suite - i
Marietta, GA 30067

Online warranty registration

<http://crystalquest.com/warranty.htm>

Important Notice: All Crystal Quest water filtration systems should be installed by a qualified and licensed plumber. Not using the service of a qualified plumber will void warranty. Crystal Quest assumes no liability whatsoever for systems improperly installed or those installed from anyone other than a qualified, licensed plumber.